



MOUNTING REFERENCE GUIDE

VESA 75/100 Adaptation with Quick Release

CIM Cable Integrated Mounting System



Content

General notes	3
How to create part numbers	4
VESA adapter plate quick release	6
Product highlights	7
Flush mount	8
Support arm pivot	10
Extended pivot arm light	12
Extended pivot arm	14
Height adjustable arm	16
Extended height adjustable arm	18
High position height adjustable arm	20
Extended high position height adjustable arm	22
Counter top	24
Counter top for deep monitors	26
Cart light duty	28
Fixings	30
Fixings for anaesthesia machines	31

General notes

Monitor Adaptations

The monitor adaption VESA 75 quick release (**Q**) and VESA 75/100 respectively quick release (**Q1**) offers tool-free disassembly of the monitor.

Different supports for monitor mount VESA 75/100 (without quick release) can be found in our catalogue: VESA 75/100 adaptation.

Components' grounding

All arms with integrated cable management are equipped with **component grounding**. No grounding is required for arms with external or semi-integrated cable management with cables not being led through joints.

Load capacity

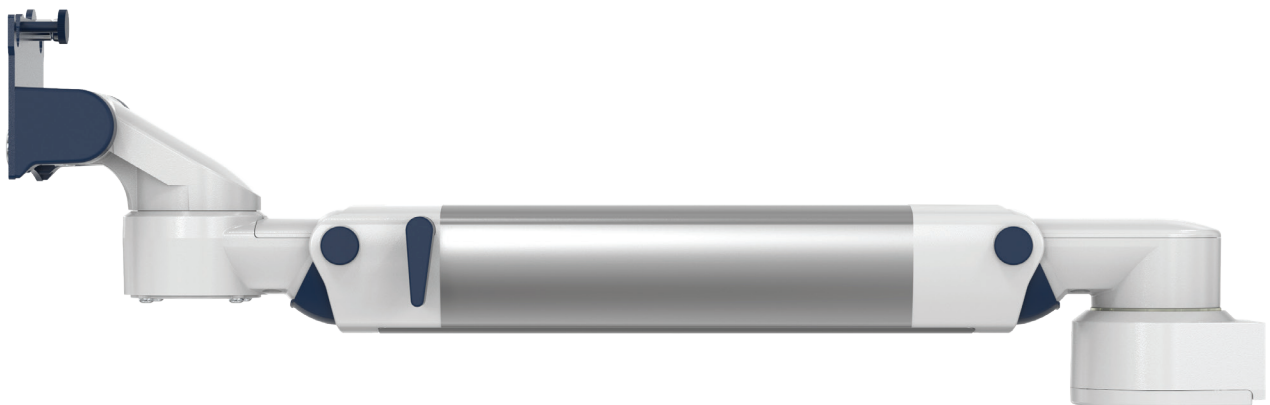
All **height adjustable arms** have a load capacity of 22 kg / 48.5 lbs. Rear mounted monitor adaptations and horizontally mounted 5" plunge plates accept a maximum monitor weight of 18 kg / 39.7 lbs. An additional 4 kg / 8.8 lbs may be mounted on a down post underneath the front swivel part. Depending on material and tensile factor all weight indications have a 4-fold and / or 6-fold safety factor according to EN 60601-1, 3rd Edition regulations.

Custom-designed solutions and MRI applications

Please contact us for **custom-designed** solutions.

Product marking

All CIM products are CE marked. As **medical product risk class 1** and they conform with the regulations MDD 93/42 ECC and EN 60601-1, 3rd Edition. TUEV reports for numerous products especially for anaesthesia applications guarantee electrical and mechanical safety of our products and are available upon request.



How to create part numbers

Part numbers can be easily created by following the steps below:

Please replace the letters in **green** with the part no. code as per your requirements.

1. Components' grounding:

S	=	not grounded
A	=	grounded

2. Choose the arm version required:

910Q / 910Q1	=	flush mount
224Q / 230Q / 224Q1 / 230Q1	=	support arm pivot
33030Q / 33030Q1	=	extended pivot arm light
H33030Q / H33030Q1	=	extended pivot arm
431Q / 431Q1	=	height adjustable arm
73130Q / 73130Q1	=	extended height adjustable arm
531Q / 531Q1	=	high position height adjustable arm
83130Q / 83130Q1	=	extended high position height adjustable arm

3. Specify where you want to mount the arm and select the fixing (Y):

1V	=	pole ø 23 - 40 mm / 0.9 - 1.6"
1	=	pole ø 25 mm / 1.0"
1F	=	pole ø 35 mm / 1.4"
1C	=	pole ø 38 mm / 1.5"
2F	=	horizontal rails 10 x 25, 8 x 35, 10 x 30, 10 x 50 mm
3	=	vertical rail 10 x 25 mm
3DR	=	dual vertical rails, distance 150 mm/ 5.9"
3TX	=	dual vertical rails, distance 225 mm/ 8.9"
4V	=	vertical wall channel
4U	=	vertical wall channel for arms with high mounting position
	=	anaesthesia machine with existing channel
13	=	Mindray medical supply units
17	=	Amico pendants & headwalls
9	=	Löwenstein Medical anaesthesia machine
10	=	Maquet FLOW i anaesthesia machine

How to create part numbers

4. Choose the colour requested for decorative parts (C):

gr	=	RAL 7024 (dark grey)
bl	=	RAL 5013 (blue)

5. Choose the colour requested for the aluminium die-cast parts (D):

1	=	RAL 9016 (pure white)
2	=	RAL 9002 (grey white)

6. Specify the spring depending on the weight of your monitor/ device - only with height adjustable arms (X):

60	=	2 - 5 kg / 4.4 - 11 lbs
95	=	4 - 9 kg / 8.8 - 19.8 lbs
130	=	7,5 - 13 kg / 16.5 - 28.7 lbs
175	=	13 - 16 kg / 28.7 - 35.3 lbs
220	=	16 - 22 kg / 35.3 - 48.5 lbs

Example

01 Grounding		02 Arm version		03 Fixing		04 & 05 Colour		06 Spring tension
A	-	431Q	-	Y	.	CD	-	X
A	-	431Q	-	4V	.	gr1	-	95

VESA adapter plate quick release

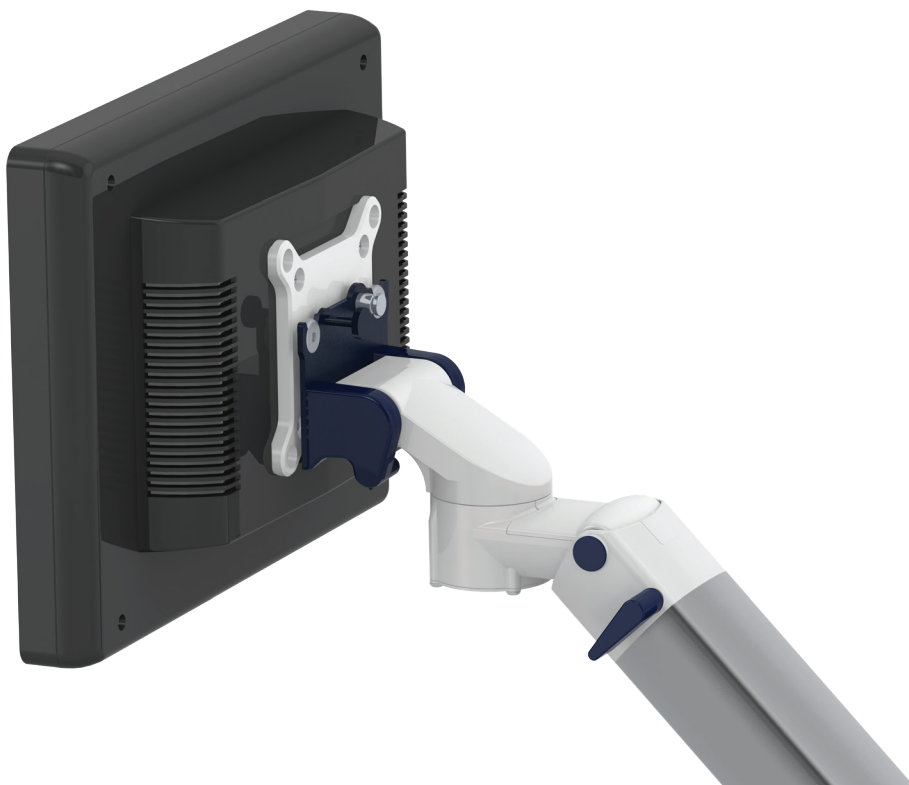
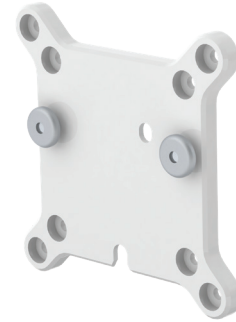
VESA 75 adapter plate quick release (Q)

The adapter plate shown is mounted to the rear side of the monitor's hole pattern 75 x 75 mm (2.9 x 2.9") and is included in the delivery.



VESA 75/ 100 adapter plate quick release (Q1)

The adapter plate shown is mounted to the rear side of the monitor using either the 75 x 75 mm (2.9 x 2.9") or 100 x 100 mm (3.9 x 3.9") hole pattern and is included in the delivery.



Product highlights

Non-height adjustable arm

Pivot and extended pivot arms offer **full cable integration** and easy cleaning for **infection control** in all critical care areas in the clinical environment. Our **5-years warranty** guarantees reliable, trouble-free and maintenance-free operation. The swivel function at the fixing point as well as the **tilt/ swivel function** of the monitor adaptation offers optimum positioning of your device. The extended pivot arm is a two-part arm with central pivot point between the two arm sections. All bottom-mounted monitors have the safety feature of a **20° tilt stop**.

Height adjustable arm

The height adjustable arm offers **full cable integration**, one-wipe clean surfaces and our **5-year warranty** on the entirety of the product. Vertically and horizontally adjustable, the arm offers optimal positioning of your device. A constant viewing angle when vertically adjusted is guaranteed by a parallel linkage. **Weight-optimized springs counter-balance** the monitor without making any adjustments. All bottom-mounted monitors have the safety feature of a **20° tilt stop**. Individual rotational stops may be integrated in any joint.

To provide the perfect combination of arm and monitor, the CIM articulated height adjustable arm has a simple quarter-turn lock to hold the arm safely in position when removing the monitor. Furthermore the arm is equipped with the unique safety feature of a slow-release gas spring. Should anybody try to remove the monitor before locking the arm in position, the arm will only rise at a slow and even tempo.

SAFETY

Flush mount



Monitor adaption

VESA 75, VESA 75/100, quick release

Colours to choose

decorative parts RAL 5013 blue / RAL 7024 dark grey
 aluminum parts RAL 9016 pure white / RAL 9002 grey white

Max. load capacity support arm

18 kg / 39.7 lbs

Max. load monitor adaptation

18 kg / 39.7 lbs

Product weight

1.1 kg / 2.4 lbs

Part number

S-910Q-Y.CD VESA 75
 S-910Q1-Y.CD VESA 75/100

Fixings

Y | details page 30



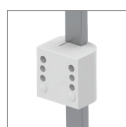
4V

Adapter for vertical wall channel



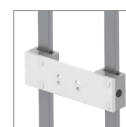
2F

Fixed rail clamp



3

Vertical rail clamp



3DR
3TX

Dual vertical rail clamp



1
1F
1C
1V

Fixed / universal pole clamp



13

Adapter for Mindray medical supply units



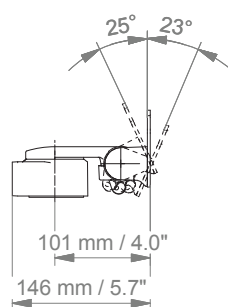
17

Adapter for Amico pendants & headwalls

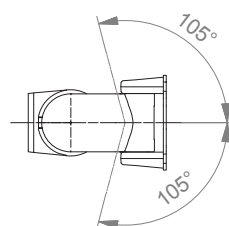
Flush mount

Technical data

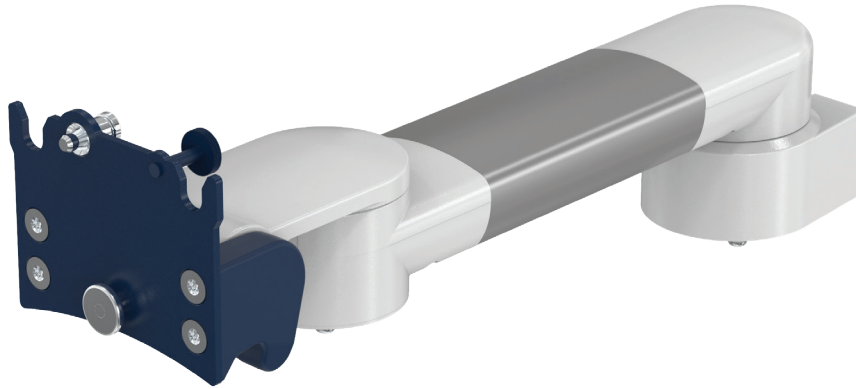
SIDE VIEW



TOP VIEW



Support arm pivot



Monitor adaption

VESA 75, VESA 75/100, quick release

Colours to choose

decorative parts RAL 5013 blue / RAL 7024 dark grey
 aluminum parts RAL 9016 pure white / RAL 9002 grey white

Max. load capacity support arm

18 kg / 39.7 lbs

Max. load monitor adaptation

18 kg / 39.7 lbs

Product weight

240 mm / 9.5": 2 kg / 4.4 lbs; 300 mm / 11.8": 2.1 kg / 4.6 lbs

Part number

arm length 240 mm / 9.5"	arm length 300 mm / 11.8"	
A-224Q-Y.CD	A-230Q-Y.CD	VESA 75
A-224Q1-Y.CD	A-230Q1-Y.CD	VESA 75/100

Fixings

Y | details page 30 and 31



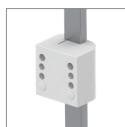
4V

Adapter for vertical wall channel



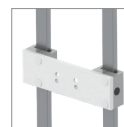
2F

Fixed rail clamp



3

Vertical rail clamp



3DR
3TX

Dual vertical rail clamp



1
1F
1C
1V

Fixed / universal pole clamp



13

Adapter for Mindray medical supply units



17

Adapter for Amico pendants & headwalls



10

Adapter for Maquet anaesthesia machines



9

Adapter for Löwenstein Medical anaesthesia machines



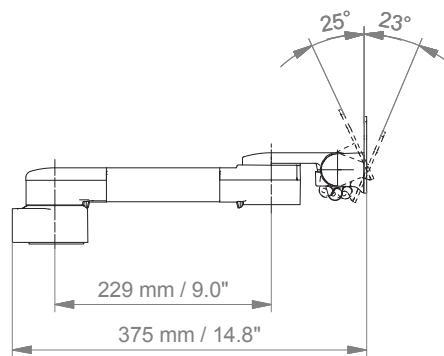
4U

Adapter for anaesthesia machines with existing side channel

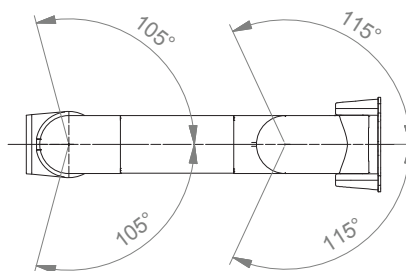
Support arm pivot

Technical data – arm length 300 mm / 11.8"

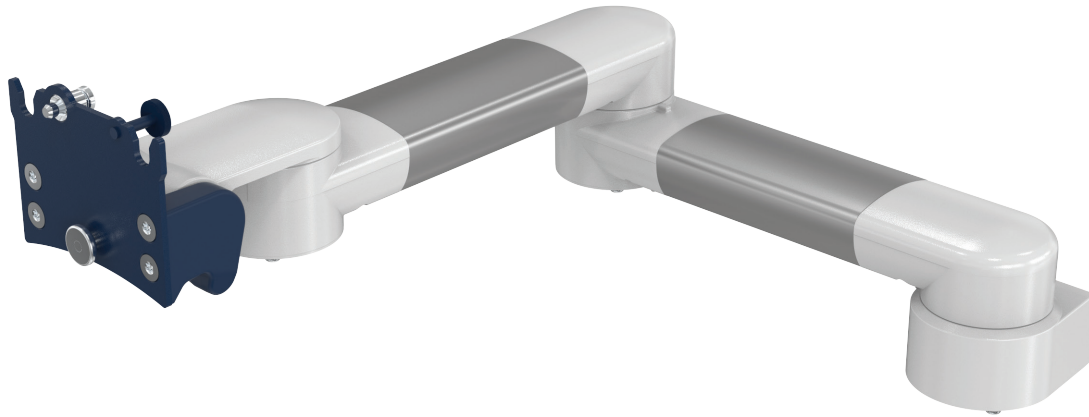
SIDE VIEW



TOP VIEW



Extended pivot arm light



Monitor adaption

VESA 75, VESA 75/100, quick release

Colours to choose

decorative parts RAL 5013 blue / RAL 7024 dark grey
 aluminum parts RAL 9016 pure white / RAL 9002 grey white

Max. load capacity support arm

8 kg / 17.6 lbs

Max. load monitor adaptation

8 kg / 17.6 lbs

Product weight

3 kg / 6.6 lbs

Part number

A-33030Q-Y.CD VESA 75
 A-33030Q1-Y.CD VESA 75/100

Fixings

Y | details page 30 and 31



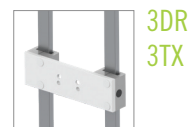
4V
 Adapter for vertical wall channel



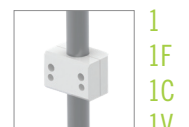
2F
 Fixed rail clamp



3
 Vertical rail clamp



3DR
 3TX
 Dual vertical rail clamp



1
 1F
 1C
 1V
 Fixed / universal pole clamp



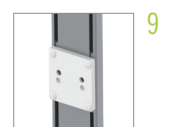
13
 Adapter for Mindray medical supply units



17
 Adapter for Amico pendants & headwalls



10
 Adapter for Maquet anaesthesia machines



9
 Adapter for Löwenstein Medical anaesthesia machines

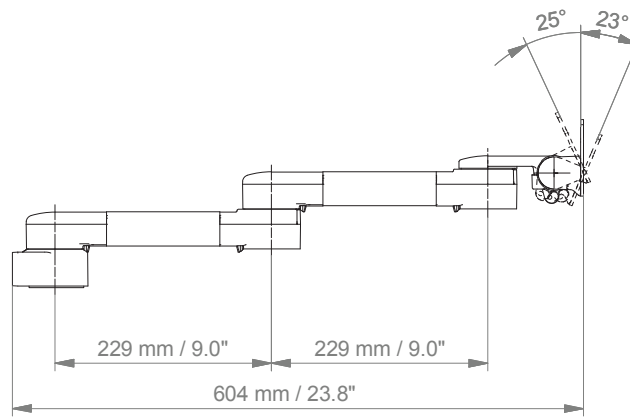


4U
 Adapter for anaesthesia machines with existing side channel

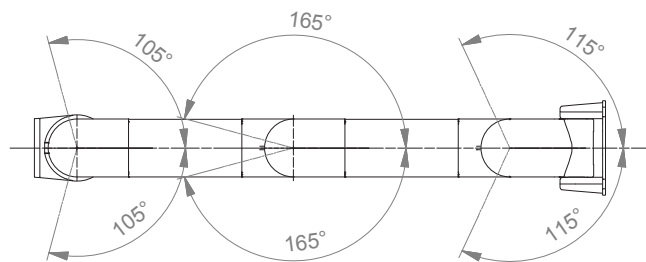
Extended pivot arm light

Technical data

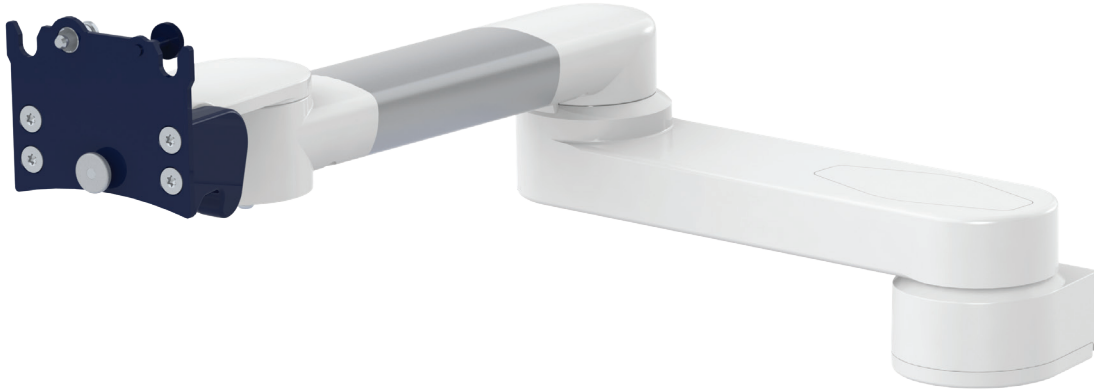
SIDE VIEW



TOP VIEW



Extended pivot arm



Monitor adaption

VESA 75, VESA 75/100, quick release

Colours to choose

decorative parts RAL 5013 blue / RAL 7024 dark grey
 aluminum parts RAL 9016 pure white / RAL 9002 grey white

Max. load capacity support arm

18 kg / 39.7 lbs

Max. load monitor adaptation

18 kg / 39.7 lbs

Product weight

3.1 kg / 6.8 lbs

Part number

A-H33030Q-Y.CD VESA 75
 A-H33030Q1-Y.CD VESA 75/100

Fixings

Y | details page 30 and 31



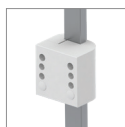
4V

Adapter for vertical wall channel



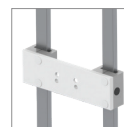
2F

Fixed rail clamp



3

Vertical rail clamp



3DR
3TX

Dual vertical rail clamp



1
1F
1C
1V

Fixed / universal pole clamp



13

Adapter for Mindray medical supply units



17

Adapter for Amico pendants & headwalls



10

Adapter for Maquet anaesthesia machines



9

Adapter for Löwenstein Medical anaesthesia machines



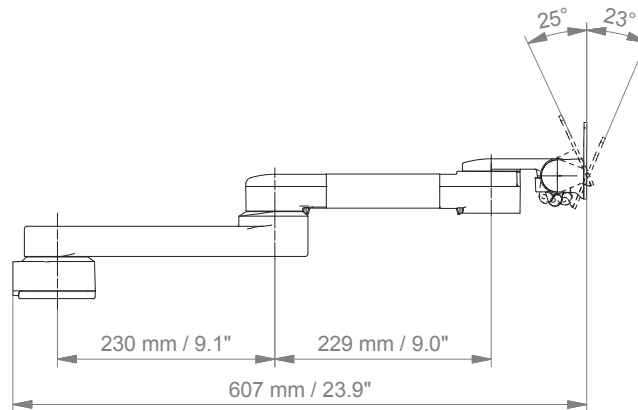
4U

Adapter for anaesthesia machines with existing side channel

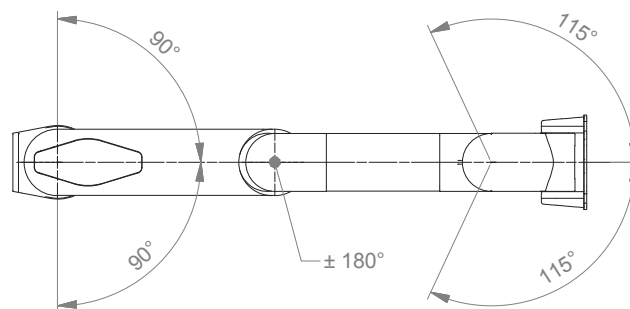
Extended pivot arm

Technical data

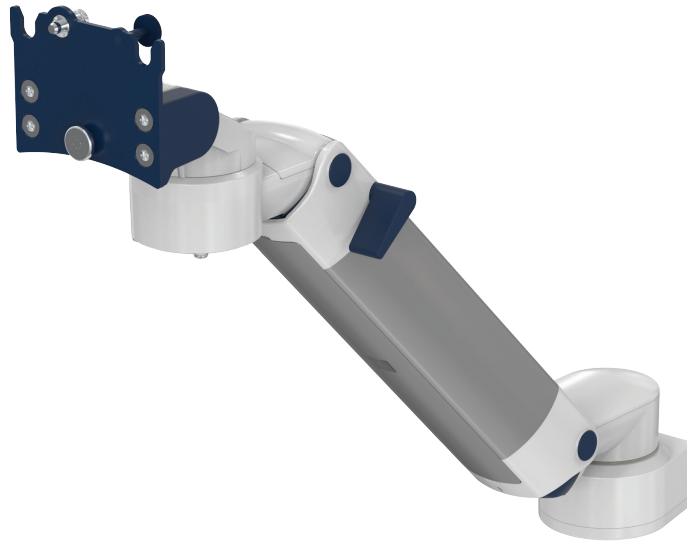
SIDE VIEW



TOP VIEW



Height adjustable arm



Monitor adaption	VESA 75, VESA 75/100, quick release
Height adjustment	slow-flowing spring, parallel linkage for a constant viewing angle
Colours to choose	decorative parts RAL 5013 blue / RAL 7024 dark grey aluminum parts RAL 9016 pure white / RAL 9002 grey white
Max. load capacity support arm	22 kg / 48.5 lbs
Max. load monitor adaptation	18 kg / 39.7 lbs
Product weight	3.8 kg / 8.4 lbs
Balancing range	600 N (2-5 kg / 5.5-11 lbs); 950 N (4-9 kg / 8.8-19.8 lbs); 1300 N (7.5-13 kg / 16.5-28.7 lbs); 1750 N (13-16 kg / 28.7-35.3 lbs); 2200 N (16-22 kg / 35.3-48.5 lbs)
Part number	A-431Q-Y.CD_X VESA 75 A-431Q1-Y.CD_X VESA 75/100

Fixings

Y | details page 30 and 31



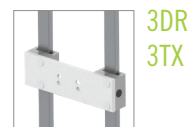
4V
Adapter for vertical wall channel



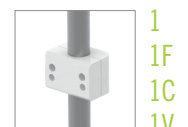
2F
Fixed rail clamp



3
Vertical rail clamp



3DR
3TX
Dual vertical rail clamp



1
1F
1C
1V
Fixed / universal pole clamp



13
Adapter for Mindray medical supply units



17
Adapter for Amico pendants & headwalls



10
Adapter for Maquet anaesthesia machines



9
Adapter for Löwenstein Medical anaesthesia machines

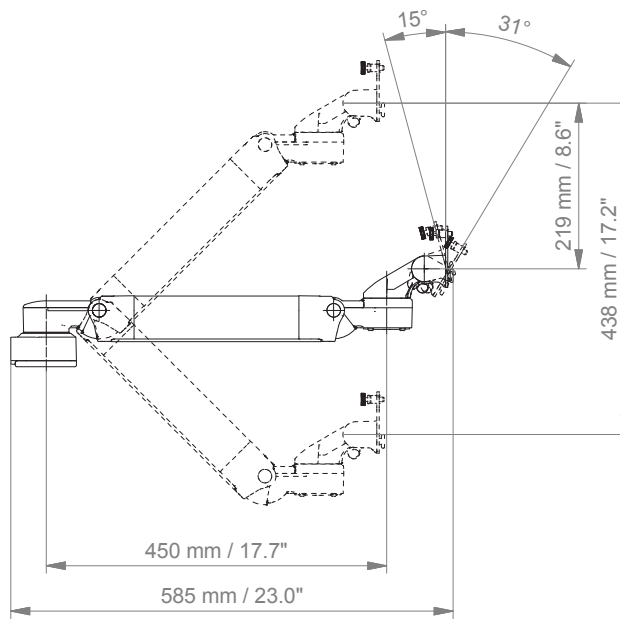


4U
Adapter for anaesthesia machines with existing side channel

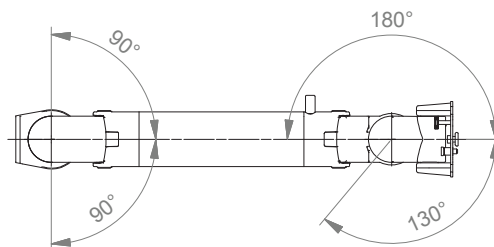
Height adjustable arm

Technical data

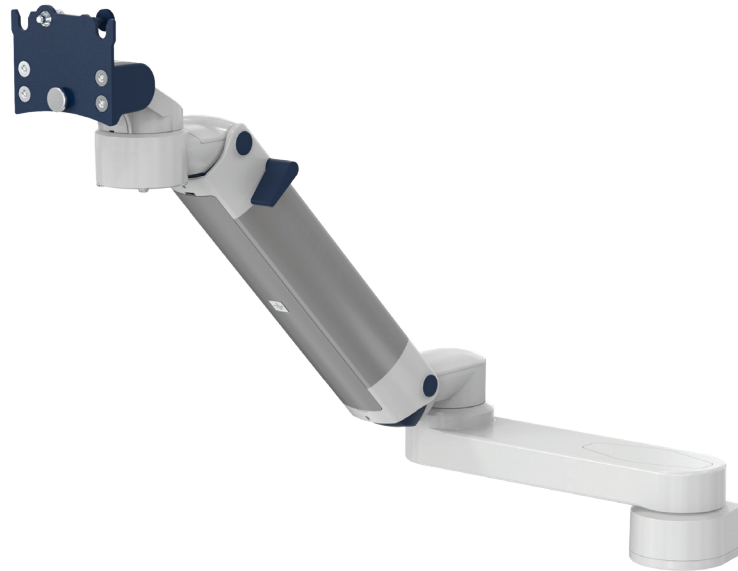
SIDE VIEW



TOP VIEW



Extended height adjustable arm



Monitor adaption	VESA 75, VESA 75/100, quick release
Height adjustment	slow-flowing spring, parallel linkage for a constant viewing angle
Colours to choose	decorative parts RAL 5013 blue / RAL 7024 dark grey aluminum parts RAL 9016 pure white / RAL 9002 grey white
Max. load capacity support arm	22 kg / 48.5 lbs
Max. load monitor adaptation	18 kg / 39.7 lbs
Product weight	5.7 kg / 12.6 lbs
Balancing range	600 N (2-5 kg / 5.5-11 lbs); 950 N (4-9 kg / 8.8-19.8 lbs); 1300 N (7,5-13 kg / 16.5-28.7 lbs); 1750 N (13-16 kg / 28.7-35.3 lbs); 2200 N (16-22 kg / 35.3-48.5 lbs)
Part number	A-73130Q-Y.CD_X VESA 75 A-73130Q1-Y.CD_X VESA 75/100

Fixings

Y | details page 30 and 31



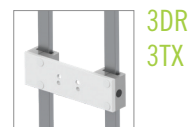
4V
Adapter for vertical wall channel



2F
Fixed rail clamp



3
Vertical rail clamp



3DR
3TX
Dual vertical rail clamp



1
1F
1C
1V
Fixed / universal pole clamp



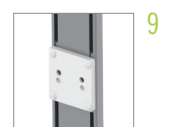
13
Adapter for Mindray medical supply units



17
Adapter for Amico pendants & headwalls



10
Adapter for Maquet anaesthesia machines



9
Adapter for Löwenstein Medical anaesthesia machines

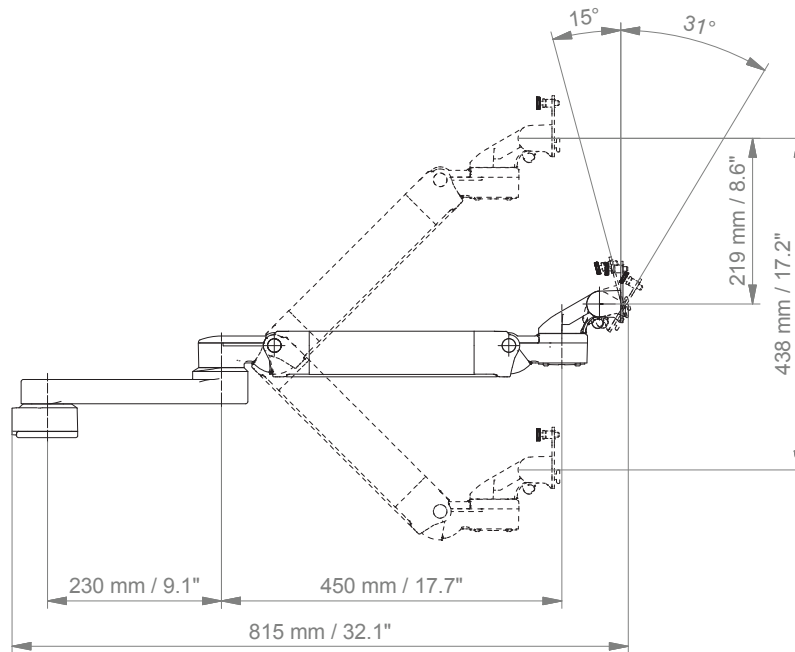


4U
Adapter for anaesthesia machines with existing side channel

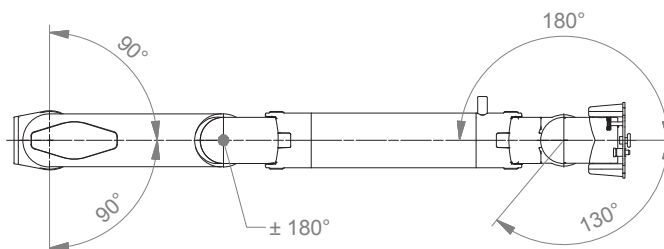
Extended height adjustable arm

Technical data

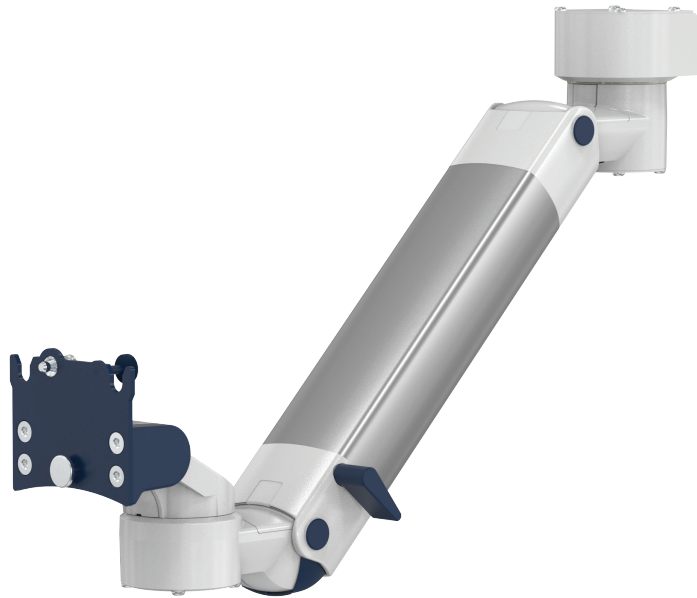
SIDE VIEW



TOP VIEW



High position height adjustable arm



Monitor adaption	VESA 75, VESA 75/100, quick release
Height adjustment	slow-flowing spring, parallel linkage for a constant viewing angle
Colours to choose	decorative parts RAL 5013 blue / RAL 7024 dark grey aluminum parts RAL 9016 pure white / RAL 9002 grey white
Max. load capacity support arm	22 kg / 48.5 lbs
Max. load monitor adaptation	18 kg / 39.7 lbs
Product weight	3.8 kg / 8.4 lbs
Balancing range	600 N (2-5 kg / 5.5-11 lbs); 950 N (4-9 kg / 8.8-19.8 lbs); 1300 N (7,5-13 kg / 16.5-28.7 lbs); 1750 N (13-16 kg / 28.7-35.3 lbs); 2200 N (16-22 kg / 35.3-48.5 lbs)
Part number	A-531Q-Y.CD_X VESA 75 A-531Q1-Y.CD_X VESA 75/100

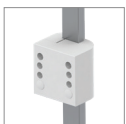
Fixings

Y | details page 30



4U

Adapter for vertical wall channel



3

Vertical rail clamp



3DR
3TX

Dual vertical rail clamp



1
1F
1C
1V

Fixed / universal pole clamp



13

Adapter for Mindray medical supply units



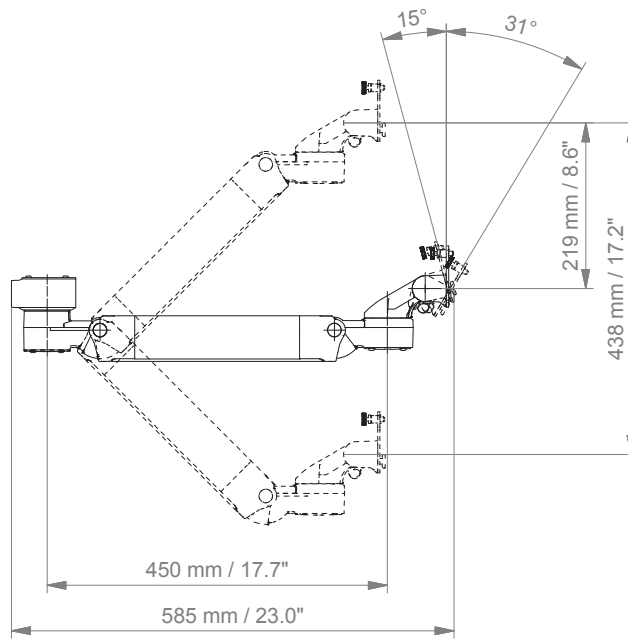
17

Adapter for Amico pendants & headwalls

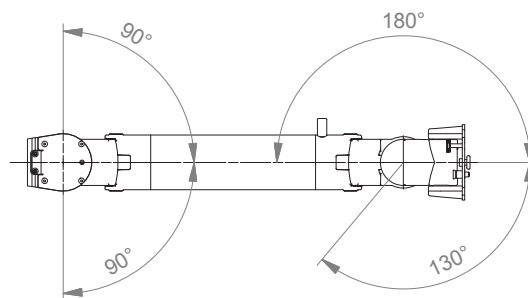
High position height adjustable arm

Technical data

SIDE VIEW



TOP VIEW



Extended high position height adjustable arm



Monitor adaption	VESA 75, VESA 75/100, quick release
Height adjustment	slow-flowing spring, parallel linkage for a constant viewing angle
Colours to choose	decorative parts RAL 5013 blue / RAL 7024 dark grey aluminum parts RAL 9016 pure white / RAL 9002 grey white
Max. load capacity support arm	22 kg / 48.5 lbs
Max. load monitor adaption	18 kg / 39.7 lbs
Product weight	5.7 kg / 12.6 lbs
Balancing range	600 N (2-5 kg / 5.5-11 lbs); 950 N (4-9 kg / 8.8-19.8 lbs); 1300 N (7,5-13 kg / 16.5-28.7 lbs); 1750 N (13-16 kg / 28.7-35.3 lbs); 2200 N (16-22 kg / 35.3-48.5 lbs)
Part number	A-83130Q-Y.CD_X VESA 75/100 A-83130Q1-Y.CD_X VESA 75/100 rotatable

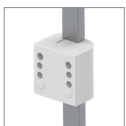
Fixings

Y | details page 30



4U

Adapter for vertical wall channel



3

Vertical rail clamp



3DR
3TX

Dual vertical rail clamp



1
1F
1C
1V

Fixed / universal pole clamp



13

Adapter for Mindray medical supply units



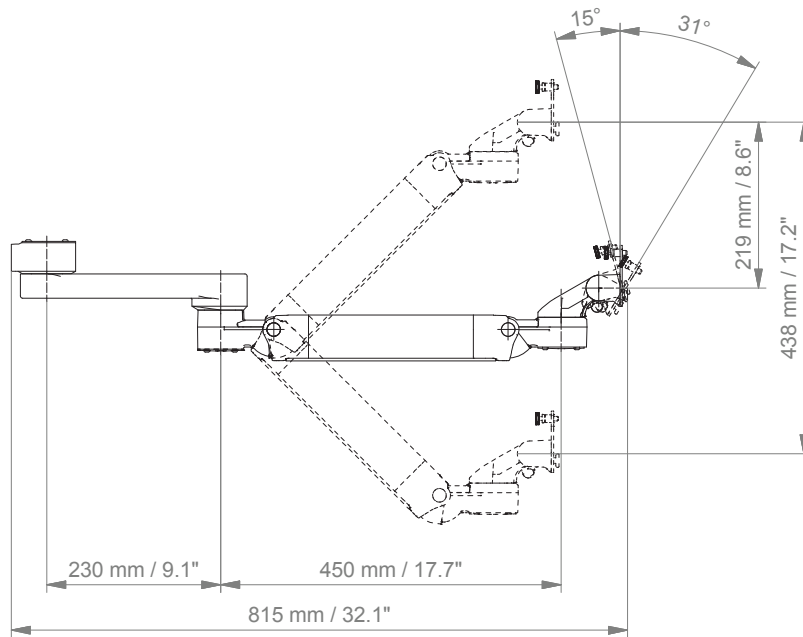
17

Adapter for Amico pendants & headwalls

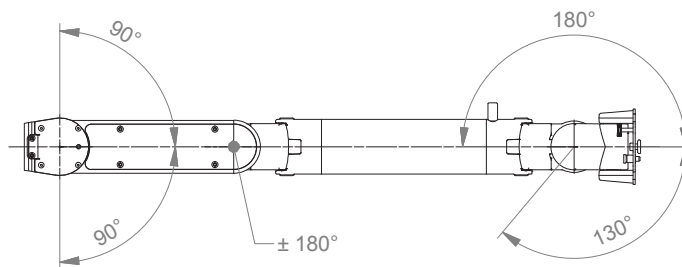
Extended high position height adjustable arm

Technical data

SIDE VIEW

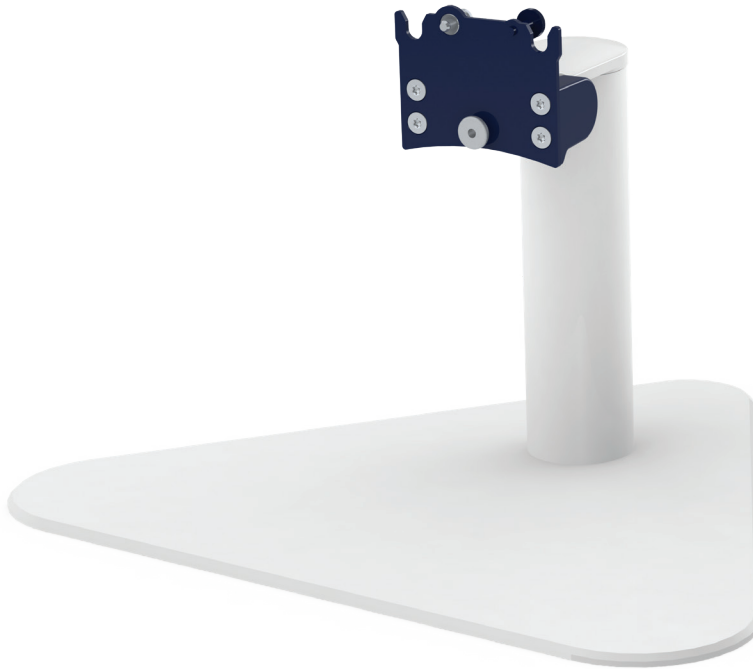


TOP VIEW





Counter top



Monitor adaption

VESA 75, VESA 75/100, quick release

Colours to choose

decorative parts RAL 5013 blue / RAL 7024 dark grey
 aluminum parts RAL 9016 pure white / RAL 9002 grey white

Max. load monitor adaptation

18 kg / 39.7 lbs

Part number

Counter top with base plate to mount to desk or even surfaces

VESA 75	VESA 75/100	Height
T-HQ-60.CD_220	T-HQ1-60.CD_220	220 mm / 8.7"
T-HQ-60.CD_280	T-HQ1-60.CD_280	280 mm / 11"
T-HQ-60.CD_340	T-HQ1-60.CD_340	340 mm / 13.4"

Counter top free-standing (see illustration)

VESA 75	VESA 75/100	Height
T-HQ-62.CD_220	T-HQ1-62.CD_220	220 mm / 8.7"
T-HQ-62.CD_280	T-HQ1-62.CD_280	280 mm / 11"
T-HQ-62.CD_340	T-HQ1-62.CD_340	340 mm / 13.4"

Counter top without base plate

VESA 75	VESA 75/100	Height
T-HQ-69.CD_220	T-HQ1-69.CD_220	220 mm / 8.7"
T-HQ-69.CD_280	T-HQ1-69.CD_280	280 mm / 11"
T-HQ-69.CD_340	T-HQ1-69.CD_340	340 mm / 13.4"

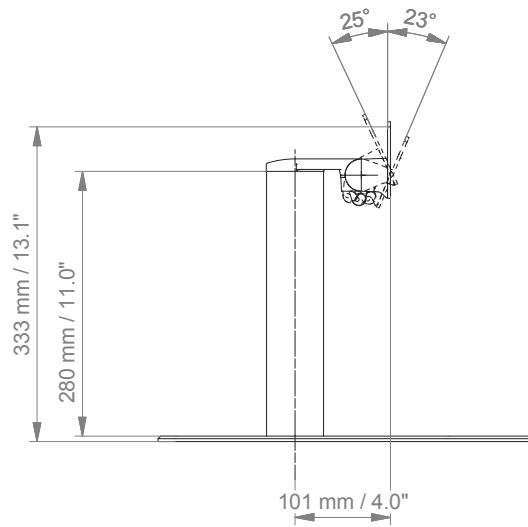
All free-standing counter tops have to be tip-tested for stability depending on the weight of the monitor!



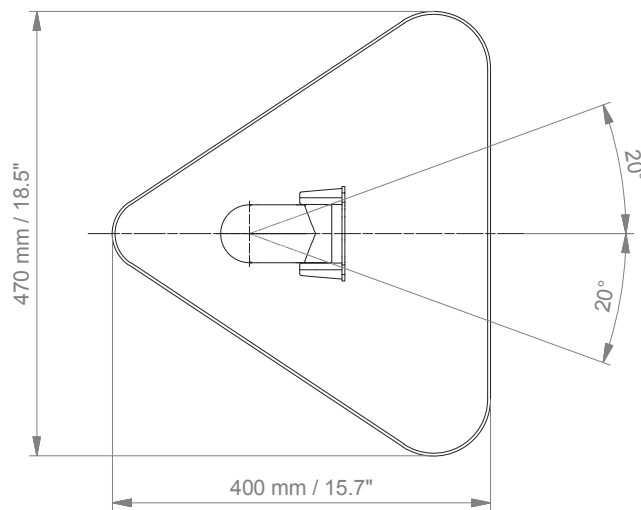
Counter top

Technical data – free-standing

SIDE VIEW



TOP VIEW



Counter top for deep monitors



Monitor adaption

CL-bracket, VESA 75, VESA 75/100, quick release

Colours to choose

decorative parts RAL 5013 blue / RAL 7024 dark grey
aluminum parts RAL 9016 pure white / RAL 9002 grey white

Max. load monitor adaptation

18 kg / 39.7 lbs

Part number

Counter top with base plate
to mount to desk or even surfaces (see illustration)

VESA 75	VESA 75/100
T-HKQ-60.CD_50	T-HKQ1-60.CD_50

All free-standing counter tops have to be tip-tested for stability depending on the weight of the monitor!



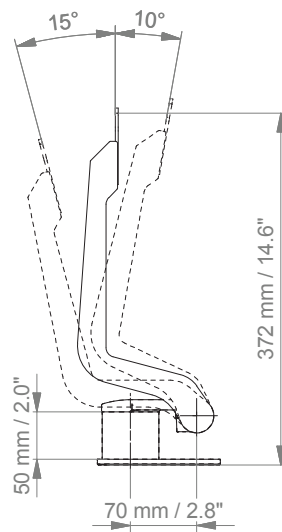
Counter top free-standing

VESA 75	VESA 75/100
T-HKQ-62.CD_50	T-HKQ1-62.CD_50

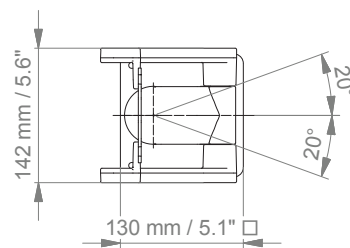
Counter top for deep monitors

Technical data – with base plate

SIDE VIEW



TOP VIEW



Cart light duty



Monitor adaption

CL-bracket, VESA 75, VESA 75/100, quick release

Accessories

5-star base aluminum base with counter weight
 double wheel castors, ø 100 mm/ 3.9", 2 lockable
 column to accept components and accessories on opposite sides

Colours to choose

decorative parts RAL 5013 blue / RAL 7024 dark grey
 base RAL 9016 pure white (part no. code 1) / RAL 5013 blue (part no. code 6)

Max. load capacity

10 kg / 22 lbs

Optional accessories

basket big 300 x 200 x 180 mm / 11.8 x 7.9 x 7.1"
 basket small 200 x 150 x 100 mm / 7.9 x 5.9 x 3.9"
 handle

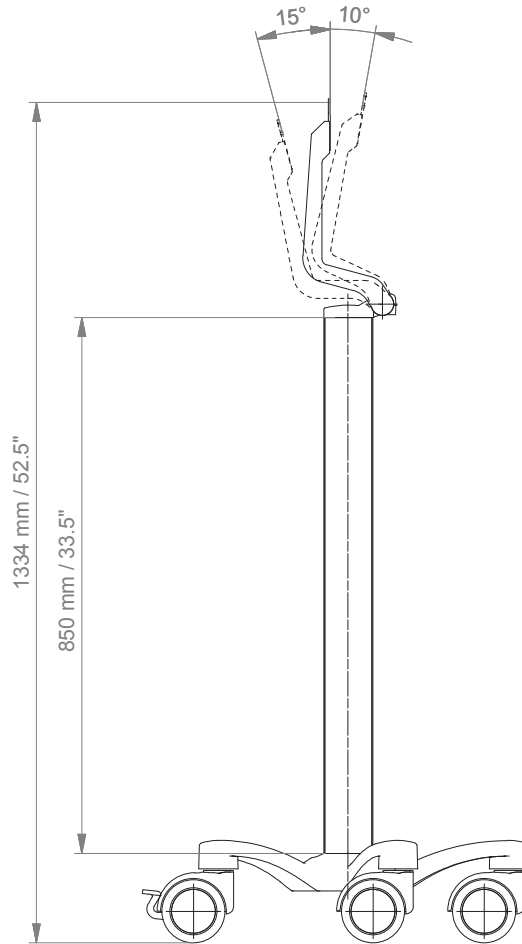
Part number

cart VESA 75	R-002KQ.CD
cart VESA 75/100	R-002KQ1.CD
basket big	Z-51-4Z
basket small	Z-52-4Z
handle	Z-HD-4Z.e1

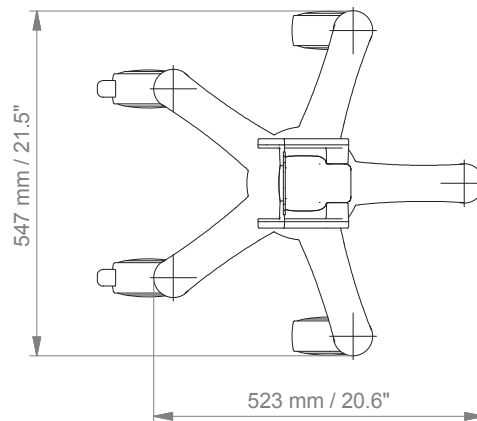
Cart light duty

Technical data

SIDE VIEW



TOP VIEW



Fixings

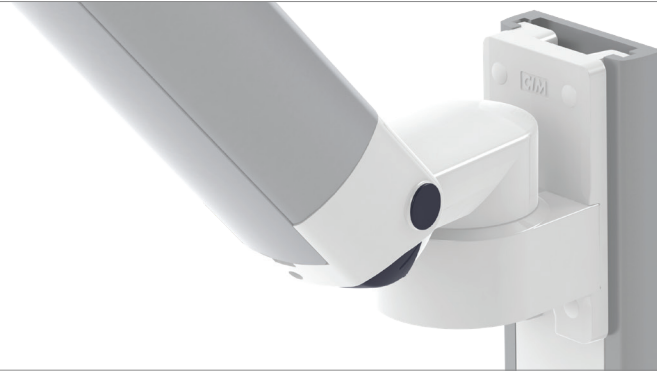










Illustration	Description	Notes	Part. no.
	Adapter for vertical wall channel	To mount to CIM wall channel (compatible with GCX channel) For arms with high mounting positions Please order separately: CIM wall channel, see catalogue accessoires	4V 4U
	Fixed rail clamp	To mount to horizontal European rails 10 x 25, 8 x 35, 10 x 30, 10 x 50 mm	2F
	Vertical rail clamp	To mount to vertical European rail 10 x 25 mm	3
	Dual vertical rail clamp	To mount to two parallel vertical European rails 10 x 25, 8 x 35, 10 x 30, 10 x 50 mm Distance between rails 150 mm / 5.9", e.g. Dräger pendant Distance between rails 225 mm / 8.9", e.g. Trilux pendant	3DR 3TX
	Fixed pole clamp	To mount to pole \varnothing 25 mm / 1.0" To mount to pole \varnothing 35 mm / 1.4" To mount to pole \varnothing 38 mm / 1.5"	1 1F 1C
	Universal pole clamp	V-Flansch zur Aufnahme an Rundrohr \varnothing 23 - 40 mm	1V
	Adapter medical supply units	For Mindray medical supply units	13
	Adapter pendants & headwalls	For Amico pendants & headwalls	17

Fixings for anaesthesia machines

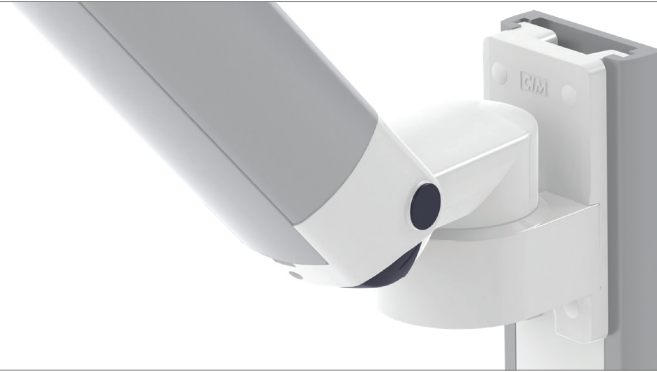


Illustration	Description	Notes	Part. no.
	Adapter for Maquet anaesthesia machines	Cone adapter for Maquet FLOW i	10
	Adapter for Löwenstein Medical anaesthesia machines	Adapter for Leon / Leon plus	9
	Adapter for anaesthesia machines (all suppliers)	H 80 mm / 3.1" With existing side channel	4U
If your anaesthesia machine does not have a side channel already mounted to the machine, please order the following in addition to 4U:			
	Adapter for Dräger	Dräger Primus / Julian / Cato / Fabius GS / Zeus side channel adapter L 127 mm / 5" side channel adapter L 320 mm / 12.6"	DR-J01 DR-J02
	Adapter for GE	GE Avance / Aespire / Aestiva side channel adapter L 200 mm / 7.9"	DX-AES-01



CIM med GmbH

Euro-Industriepark
Margot-Kalinke-Str. 9
80939 Munich / Germany

T +49 89. 978 94 08-0
F +49 89. 978 94 08-29
M info@cim-med.com

www.cim-med.com

VESA 75/ 100 Adaptation Quick Release_2019.01_EN

